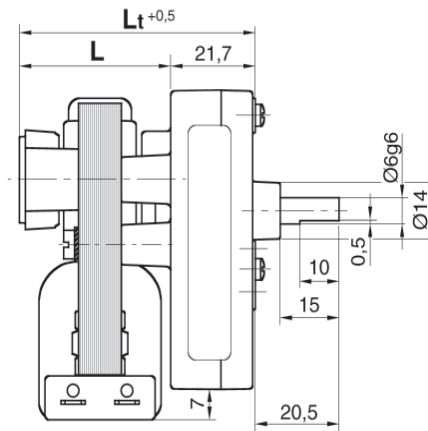
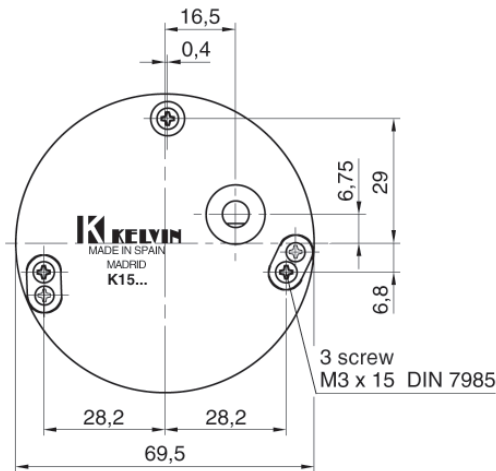


Gearbox + Motor



DIMENSIONS

TYPE	L	L _t
K15.411	38,5	60,5
K15.416	43,5	65,5
K15.620	47,5	69,5

K15-Mounting

TECHNICAL CHARACTERISTICS

High endurance gearbox for heavy duty continuous workload in any position, at room temperature from -15 to 50°C, with **torque load up to 1.5 Nm, steady load.**

- **Box.** Made of die-cast Zamak. Frontal mounting by three M3 threaded holes.
- **Gear set.** Hobbed spur gear set with steel pinions and gear wheels, with case superficial heat anti-friction treatment. The intermediate gears turn on rectified hardened steel shafts, which are fixed to the box.
- **Output shaft.** $\varnothing 6$ mm steel shaft, 15 mm usable length, with a flat. Incorporates and turns on sintered-bronze bearings.
- **Output shaft load:**

Axial direction, pull or push	100 N	10 Kg.
Radial direction, at 8 mm from box	50 N	5 Kg.
- **Lubrication.** Lithium grade 2 grease.
- **Weight.** With maximal number of stages: 0.28 Kg, motor not included.

MOTORS COUPLING:


■ **AC.:** ASYNCHRONOUS G411, G416, G616 and G620 types, at 230 V - 50 Hz (for other voltages, request information).

OPTIONAL:

- All G series motors options.

Avoid impacts on the output shaft when assembling or disassembling parts on it, this could damage the gearbox.

Your special requests are welcome.

			MOTORES DE C.A. - AC MOTORS					
			MODEL: Motor G					
			G,411		G,416		G,620	
Reducción Ratio $i = X:1$	Nº Etapas Stages	Eficiencia Efficiency	No load speed Vo (r.p.m.)	Nominal Torque (N.m)	No load speed Vo (r.p.m.)	Par Nominal (N.m)	No load speed Vo (r.p.m.)	Nominal Torque (N.m)
15	2	0,81	176,67	0,10	186,67	0,18	186,67	0,22
30	2	0,81	88,33	0,19	93,33	0,35	93,33	0,44
60	3	0,73	44,17	0,35	46,67	0,63	46,67	0,79
90	3	0,73	29,44	0,52	31,11	0,95	31,11	1,18
120	3	0,73	22,08	0,70	23,33	1,27	23,33	Ex. Torque max. 1,5 N·m
150	4	0,66	17,67	0,79	18,67	1,43	18,67	
180	4	0,66	14,72	0,94	15,56	Ex. Torque max. 1,5 ..	15,56	
300	4	0,66	8,83	Ex.	9,33		9,33	
400	4	0,66	6,63		7,00		7,00	
480	4	0,66	5,52		5,83		5,83	

NO LOAD SPEED / RATED TORQUE

Motor G411 = 2650 rpm / 0,01 Nm

Motor G416 = 2800 rpm / 0,01 Nm

Motor G620 = 2800 rpm / 0,02 Nm

ExExceeds maximal
admissible torque