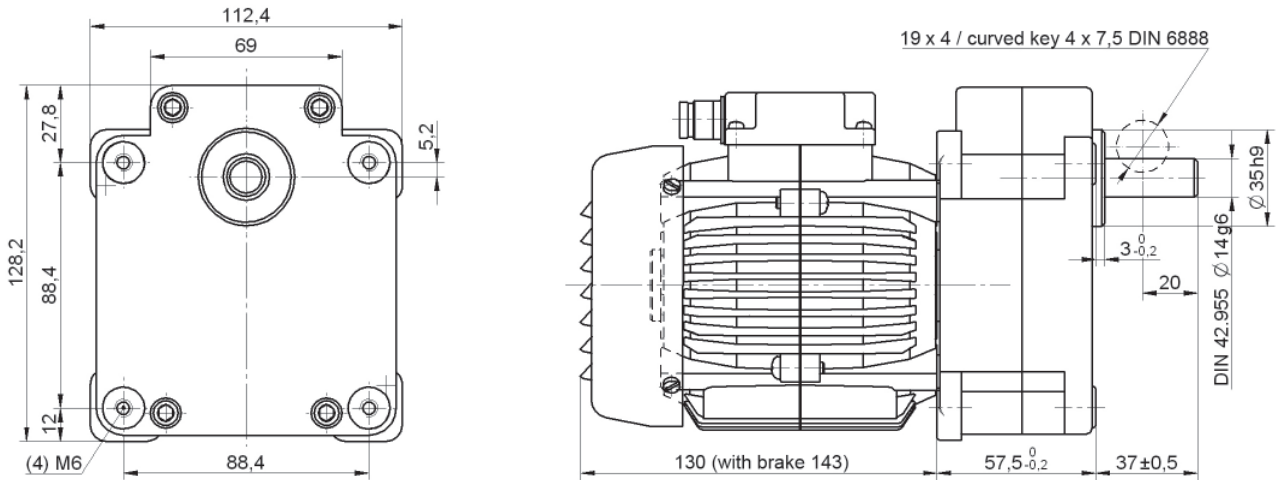


Gearbox + Motor



K200-Mounting

TECHNICAL CHARACTERISTICS


High endurance gearbox for heavy duty continuous workload in any position, at room temperature from -15 to 50°C, **with torque load up to 25 Nm, steady load.**

- **Box.** Made of die-cast light alloy. Frontal mounting by four M6 threaded holes.
- **Gear set.** Hobbed helical gear set with steel pinions and gear wheels with case superficial heat anti-friction treatment. The intermediate gears incorporate and turn on ball bearings.
- **Output shaft:** Ø14 mm steel shaft, 35 mm usable length, with keyway for DIN 6888 4 x 6.5 mm curved key. Incorporates and turns on ball bearings.
- **Output shaft load:**

Pull axial direction	1,000 N ≈ 100 Kg.
Push axial direction	750 N ≈ 75 Kg.
Radial direction, at 15 mm from box	1,000 N ≈ 100 Kg.
- **Weight:** With maximal number of stages: 4.28 Kg.
- **MOTOR COUPLING.**
- **AC.:** ASYNCHRONOUS K90 series, at 230/400 V - 50 Hz, single-phase or three-phase (for other voltages, request information) and bidirectional in either 2 or 4 poles versions.
- **OPTIONAL:**
- All K90 series motor options.

Avoid impacts on the output shaft when assembling or disassembling parts on it, this could damage the gearbox.

Your special requests are welcome.

			MOTORES DE C.A. - AC MOTORS								
			MODELO: Motor K90								
			K90.M4		K90.T4		K90.M2		K90.T2		
Reducción ratio i = X:1	Nº Etapas Stages	Eficiencia Efficiency	Nominal speed Vo (r.p.m.)	Nominal Torque (N.m)	Nominal speed Vo (r.p.m.)	Nominal Torque (N.m)	Nominal speed Vo (r.p.m.)	Nominal Torque (N.m)	Nominal speed Vo (r.p.m.)	Nominal Torque (N.m)	
12,26	2	0,81	110,52	3,48	101,96	5,46	225,53	4,47	214,93	6,45	
15,73	2	0,81	86,14	4,46	79,47	7,01	175,78	5,73	167,51	8,28	
30,10	3	0,73	45,02	7,68	41,53	12,07	91,86	9,87	87,54	14,26	
63,98	3	0,73	21,18	16,32	19,54	Ex. Torque max. 25 N·m	43,22	20,99	41,18	Ex. Torque max. 25 N·m	
90,29	4	0,66	15,01	20,73	13,84		30,62	Ex. Torque max. 25 N·m	29,18		Ex. Torque max. 25 N·m
130,17	4	0,66	10,41	Ex. Torque max. 25 N·m	9,60		21,24		20,24		
149,60	4	0,66	9,06		8,36		18,48		17,61		
191,94	4	0,66	7,06		6,51		14,41		13,73		
319,50	5	0,59	4,24	Ex. Torque max. 25 N·m	3,91	8,65	8,25	Ex. Torque max. 25 N·m			
409,93	5	0,59	3,31		3,05	6,75	6,43				
497,74	5	0,59	2,72		2,51	5,56	5,29				

Motor K90M4 = 1355 rpm / 0,35 Nm

Motor K90T4 = 1250 rpm / 0,55 Nm

Motor K90M2 = 2765 rpm / 0,45 Nm

Motor K90T2 = 2635 rpm / 0,65 Nm

Ex Exceeds maximal
admissible torque