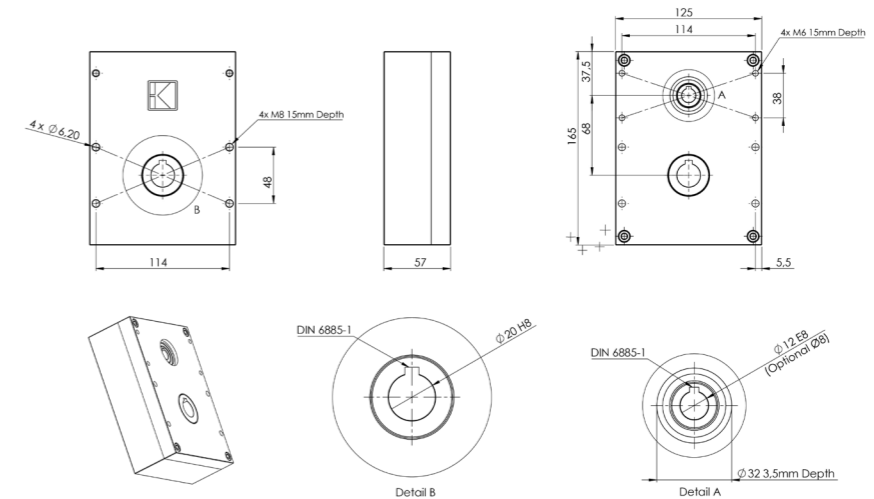
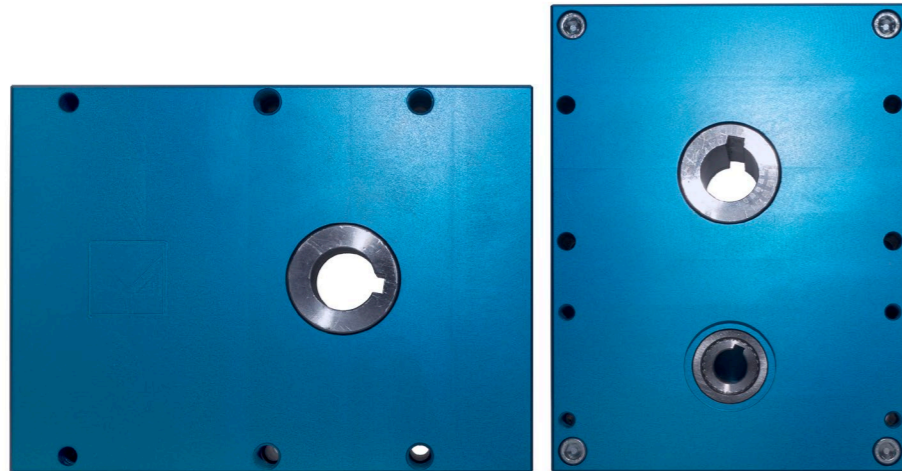


KELVIN KS12



- High endurance gearbox
- For heavy duty continuous workload in any position
- Room temperature from -15°C to 100°C
- Input: steel hollow shaft \varnothing 12 or 8 mm with DIN 6885 key way
- Output: steel hollow shaft \varnothing 20 mm with DIN 6885 key way
- Output shaft may be input side or other side.
- Through shaft also configurable
- High continuous torque load up to 100 Nm, steady load
- Hobbed spur gears composed of steel pinions and gear wheels with case hardening treatment.
- Lubrification : barium complex greases
- Adjusted with prime quality ball bearing
- 4 ratios: 3:1 - 5:1 - 10:1 and 14:1
- Output shaft load :
 - axial direction, pull or push : 2000 N \approx 200 Kg
 - radial direction, at 10 mm from box : 2000 N \approx 200 Kg



Technical Data	KS12 GR80X80	KS12+PLG52 GR53X30	KS12+PLG52 GR63X25	KS12+PLG52 GR63X55	KS12+PLG52 DR52	KS12+PLG52 DR62	KS12 BG75X25SI	KS12+PLG52 BG65X50SI
	<i>under request</i>						<i>under request</i>	
Motor	GR80x80	GR53x30	GR63x25	GR63x55	DR52	DR62	BG75x25SI	BG65x50SI
Technology	DC	DC	DC	DC	AC	AC	BLDC	BLDC
Nominal Power	240W	40W	50W	100W	30W	87W	240W	80W
Voltage	24V	12-24V	24V	24V	230V 50Hz	230V 50Hz	24V	24V
Input Gearbox	-	PLG 52	PLG 52	PLG 52	PLG 52	PLG 52	-	PLG 52
Ratio : standard in 48h	-	162-225-400:1	162-225-400:1	162-225-400:1	162-225-400:1	162-225-400:1	-	162-225-400:1
Ratio KS12: standard in 48h	10-14:1	3:1	3:1	3:1	3:1	3:1	10-14:1	3:1
Ratio KS12: standard delivery	3-5:1	5-10-14:1	5-10-14:1	5-10-14:1	5-10-14:1	5-10-14:1	3-5:1	5-10-14:1
Ratio : nb combinations max	14:1	1200:1	1200:1	1200:1	1200:1	1200:1	14:1	1200:1
Nominal Torque at max ratio	7 Nm	65 Nm	65 Nm	65 Nm	65 Nm	65 Nm	7 Nm	65 Nm
Nominal Speed at max ratio	225 rpm	3 rpm	2,5 rpm	2,6 rpm	2 rpm	2 rpm	278 rpm	2,6 rpm
Max Torque at max ratio	60 Nm	100 Nm	100 Nm	100 Nm	100 Nm	100 Nm	60 Nm	100 Nm
Integrated Electronics	-	-	-	-	-	-	yes	yes