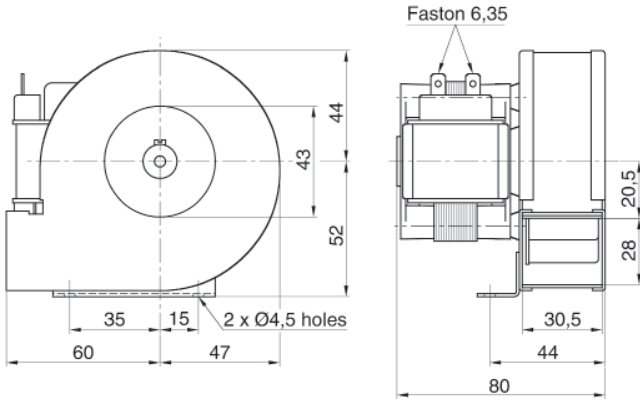
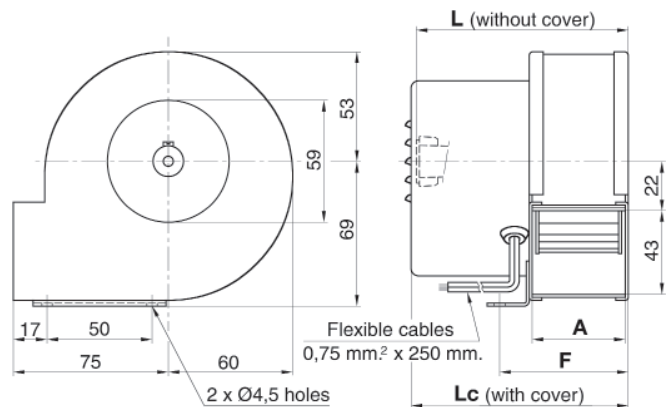




■ **Type VC 30**



■ **Types VC 75 - VC 95**



**VC-Dimensions and mounting**

**DESCRIPTION**

Zinc-coated steel plate housing.

Hard aluminium rotor drove by G series single-phase asynchronous motor, prepared for continuous S1 duty at room temperature from 0° up to 40°C, for 4,000 hours, maintenance-free.

Standard version: without motor protector cover and connection by 6.35 Faston terminals.

Standard operating voltage: 230 V - 50 Hz.

■ **OPTIONAL:**

- 'CP' motor protector cover, for VC 75 and VC 95 types, connection by 0.75 mm<sup>2</sup> self-extinguishing flexible cables in 250 mm length.
- Other operating voltages, 50 or 60 Hz, up to 400 V, to be specified.
- Drove by Direct Current motor.
- 'PT' thermal protector up to 110°C.

Type	A	F	L	Lc
VC 75	45	57,5	96	102
VC 95	53	65,5	124	129

TECHNICAL CHARACTERISTICS	TYPE		
	VC 30	VC 75	VC 95
Flow (at 20°C / 760 mm. Hg) m <sup>3</sup> / h	30	75	95
Total pressure mm. c.d.a. Pa (Pascal)	8.2	13.7	20.3
Motor Type	<b>G416</b>	<b>G620</b>	<b>G640</b>
Speed at average load r.p.m.	2,700	2,300	2,300
Insulating Class	H	H	H
Maximal input power VA	41	44	61
Protection standard with CP	IP00	●	●
Protection standard without CP	IP22	●	●
Net weight with CP Kg	0.9	1.6	1.8

**FLOW, PRESSURE AND SPEED CURVES**  
Measurements obtained according to AMCA-STANDARD 210-74 specification

