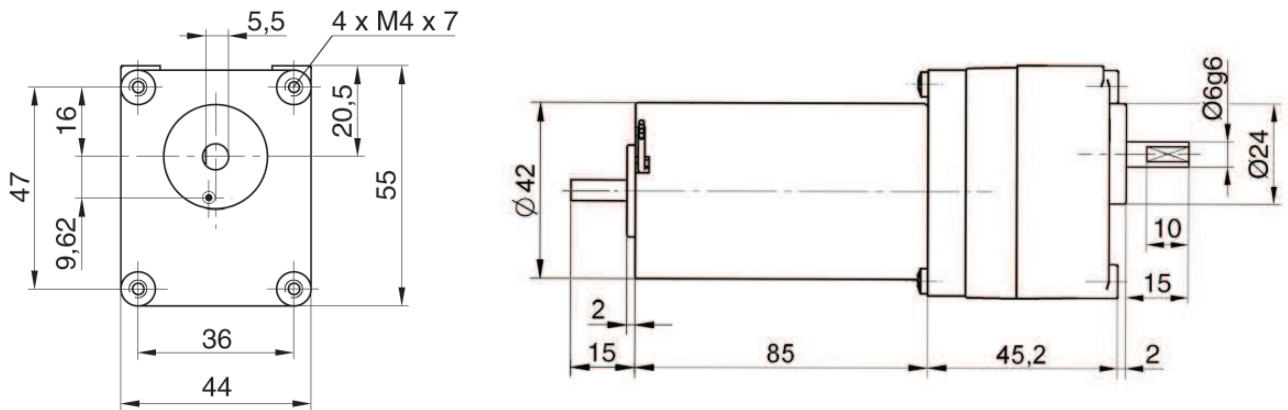


Gearbox + Motor



K30-Mounting

TECHNICAL CHARACTERISTICS

High endurance gearbox for heavy duty continuous workload in any position, at room temperature from -15 to 50°C, with **torque load up to 3 Nm, steady load.**

- **Box.** Made of die-cast Zamak. Frontal mounting by four M4 threaded holes.
- **Gear set.** Hobbed spur gear set with steel pinions and gear wheels, with case superficial heat anti-friction treatment. The intermediate gears turn on rectified hardened steel shafts, which are fixed to the box.
- **Output shaft.** Ø6 mm steel shaft, 15 mm usable length, with a flat. Incorporates and turns on ball bearing at the output side and on roller bearing at the back side.
- **Output shaft load:**

Pull axial direction	200 N ≈ 20 Kg.
Push axial direction	20 N ≈ 2 Kg.
Radial direction, at 8 mm from box	150 N ≈ 15 Kg.
- **Lubrication.** Lithium grade 2 grease.
- **Weight.** With maximal number of stages: 0.36 Kg.

MOTOR COUPLING:


- **Direct C.:** GR42x40 type, 12 V - 20 W or 24 V - 20 W.

OPTIONAL:

- Ø8 mm output shaft, without flat.
- Vertical mounting by two M4 threaded holes.
- Electronic speed controllers (request information).

Avoid impacts on the output shaft when assembling or disassembling parts on it, this could damage the gearbox.

Your special requests are welcome.

			MOTORES DE C.C. - DC MOTORS DUNKER GR42x40					
			GR42x40 12V			GR42x40 24V		
Reducción Ratio i = X:1	Nº Etapas Stages	Eficiencia Efficiency	No load speed Vo (r.p.m.)	Nominal Speed Vn (r.p.m.)	Nominal Torque (N.m)	No load speed Vo (r.p.m.)	Nominal Speed Vn (r.p.m.)	Nominal Torque (N.m)
9,94	2	0,81	457,75	382,29	0,42	382,29	315,90	0,46
17,8	3	0,73	255,62	213,48	0,68	213,48	176,40	0,74
29,8	3	0,73	152,68	127,52	1,14	127,52	105,37	1,25
59,4	4	0,66	76,60	63,97	2,05	63,97	52,86	2,23
85,5	4	0,66	53,22	44,44	Ex. Torque max. 3 N·m	44,44	36,73	Ex. Torque max. 3 N·m
119	4	0,66	38,24	31,93		31,93	26,39	
159	4	0,66	28,62	23,90		23,90	19,75	
198	5	0,59	22,98	19,19		19,19	15,86	
285	5	0,59	15,96	13,33		13,33	11,02	
397	5	0,59	11,46	9,57	9,57	7,91		
476	5	0,59	9,56	7,98	7,98	6,60		
636	5	0,59	7,15	5,97	5,97	4,94		

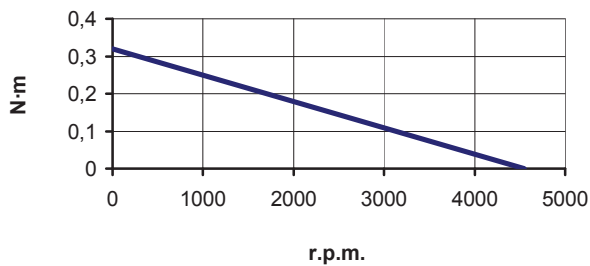
NO LOAD SPEED / RATED TORQUE

Motor GR42x40 -12V = 4550 rpm / 0,053 Nm

Motor G42x40 -24V = 3800 rpm / 0,057 Nm

Ex Exceeds maximal admissible torque

GR42x40 12V



GR42x40 24V

